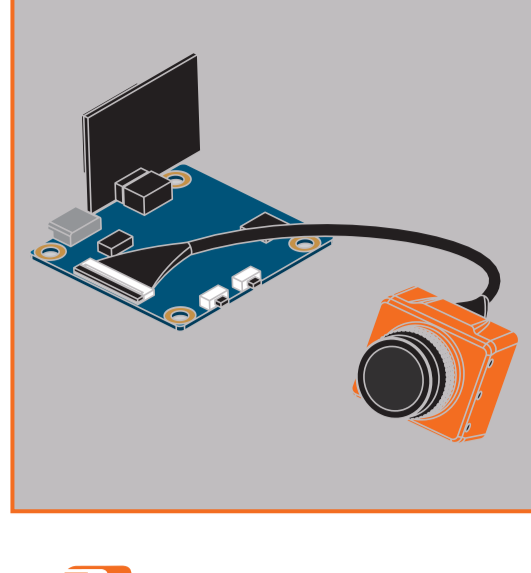
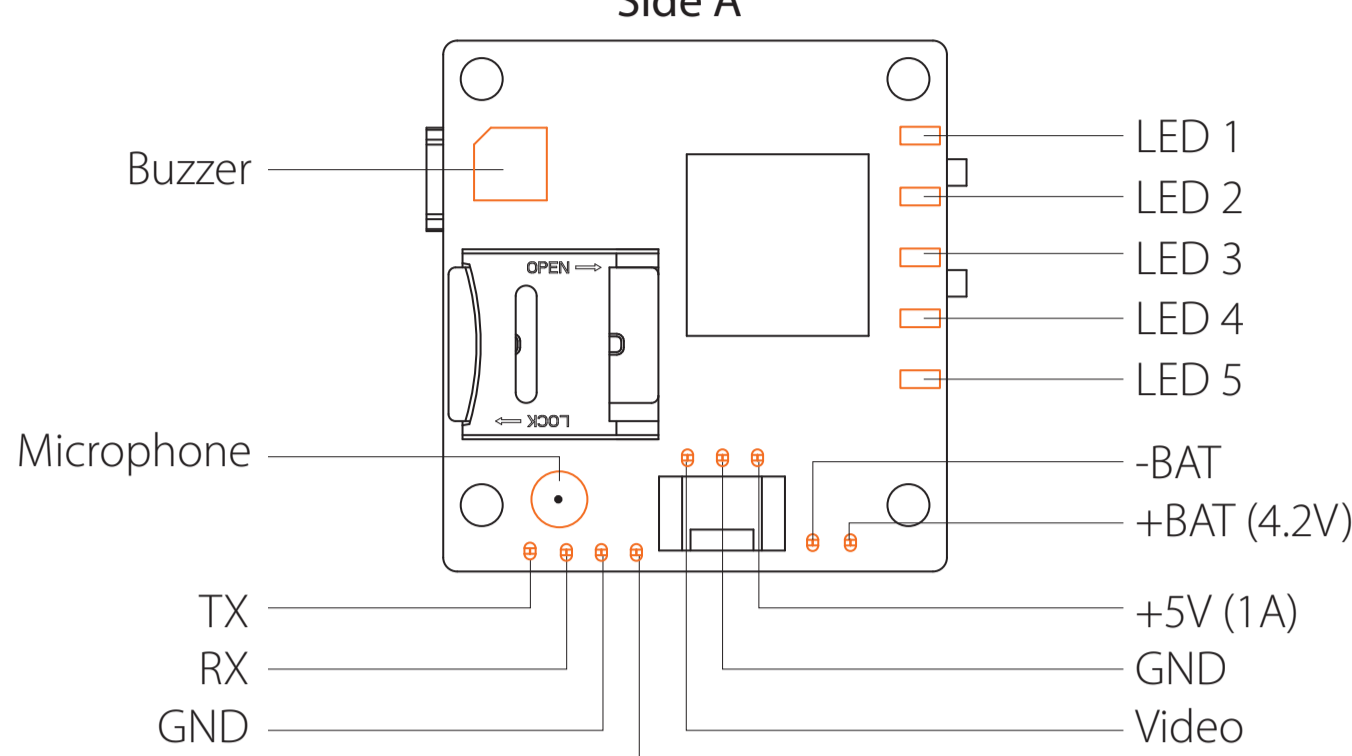


# RunCam Split

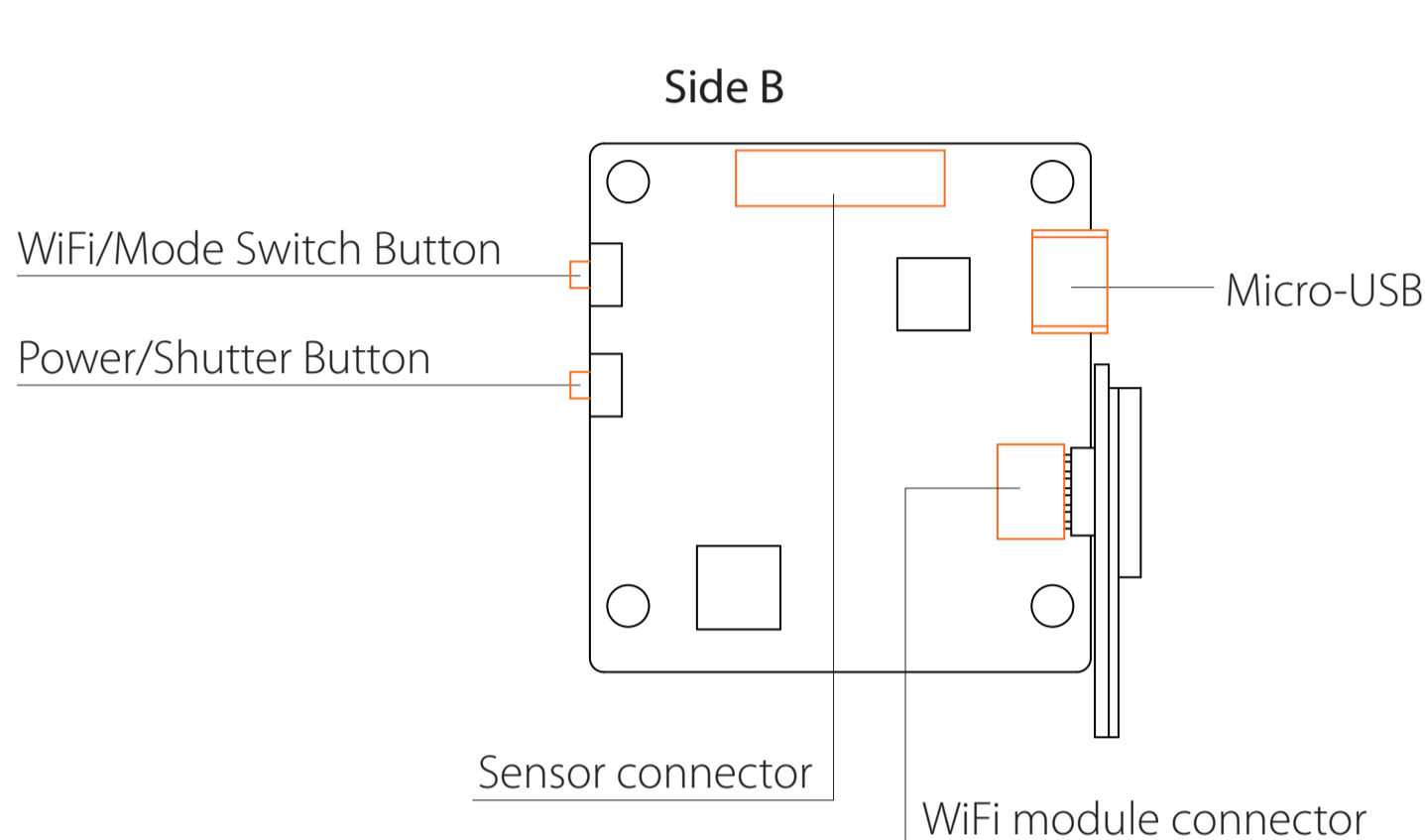
## User Manual



### Instruction diagram

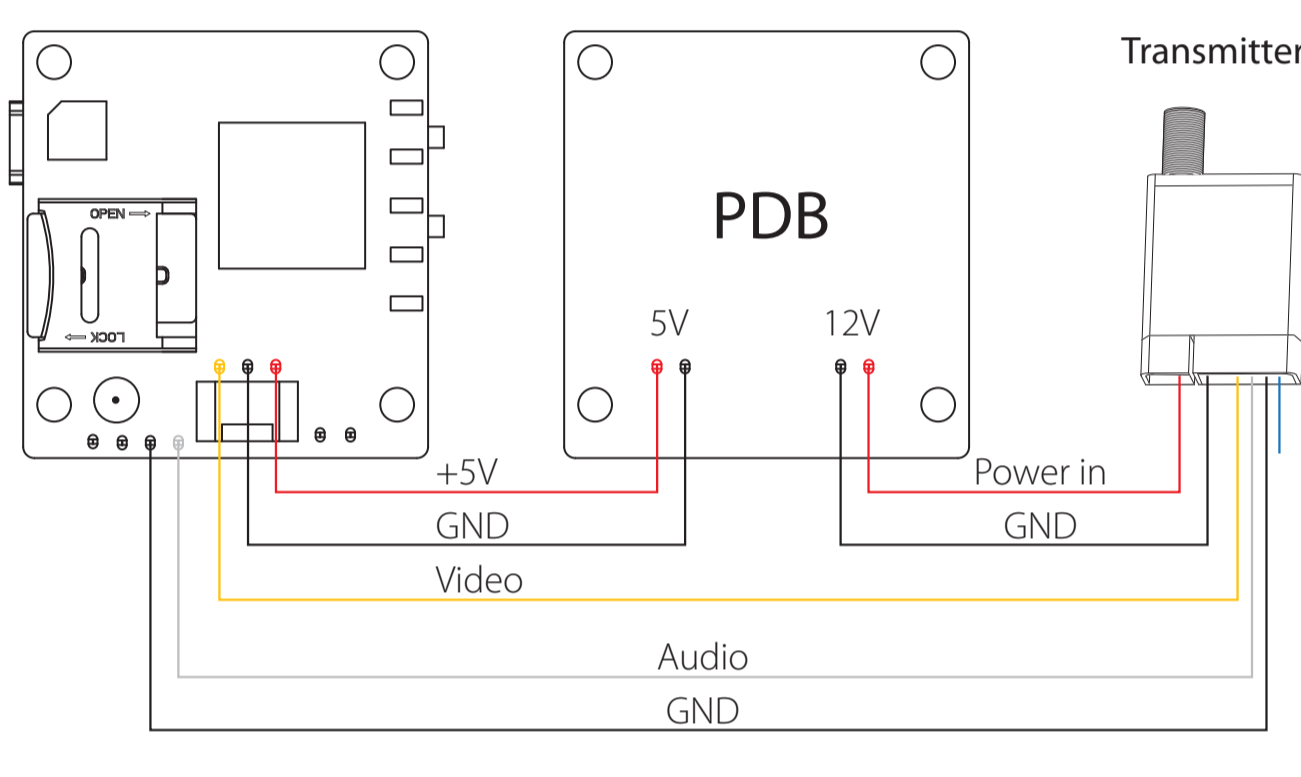


- LED 1: Blue — WiFi status light
- LED 2: Green — Photo mode status light
- LED 3: Blue — Video mode status light
- LED 4: Orange — OSD Setup status light
- LED 5: Red — Power Status Light: Blinking during operation (solid red while charging)

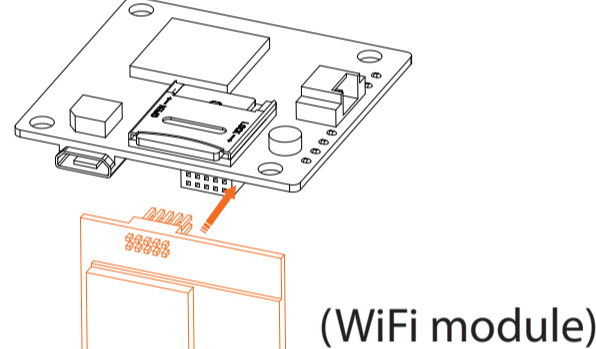


**Warning:** USB or 3 pin power interface only supports DC 5V power supply. Battery solder joints only support 4.2V lithium-ion battery.

### 5.8G Transmitter connection diagram



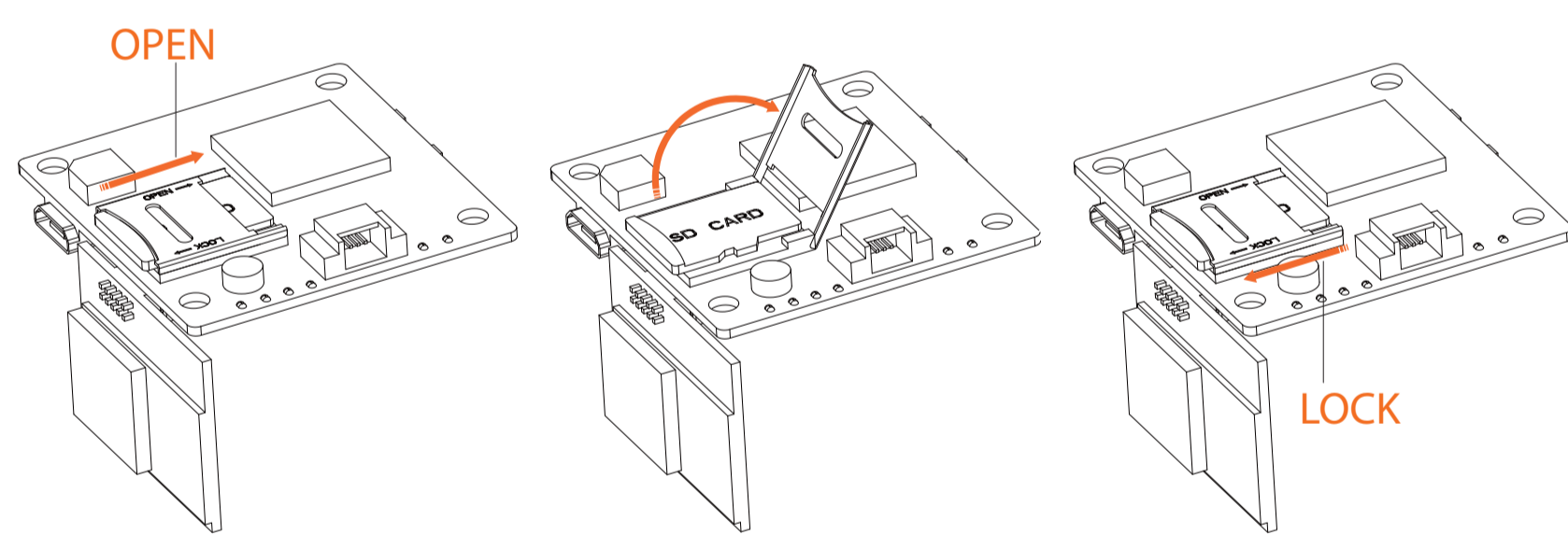
### WiFi module connection diagram



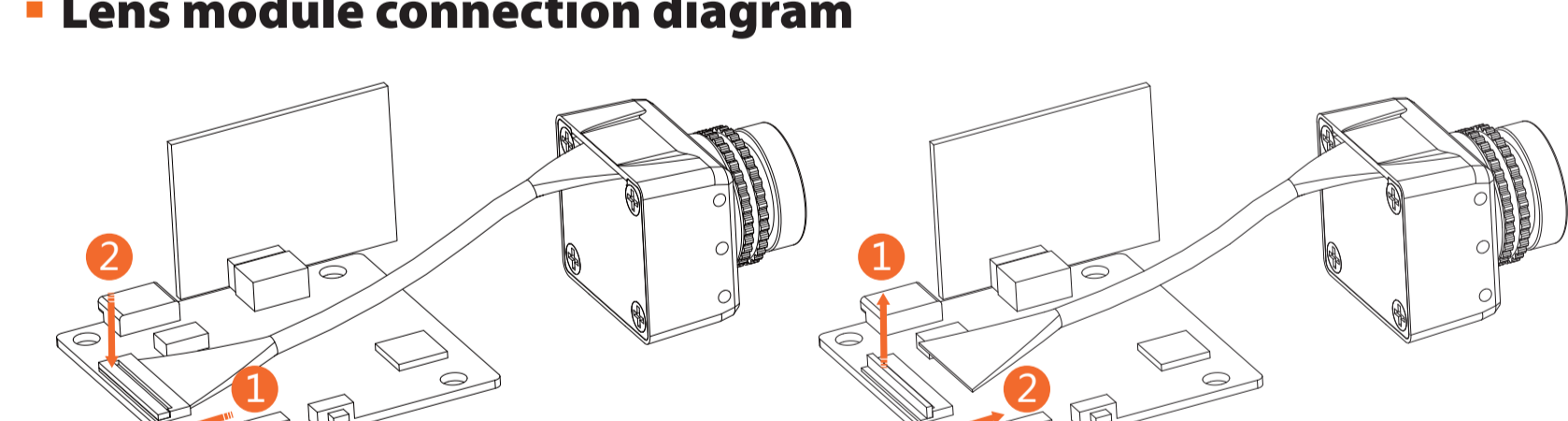
**Warning:** WiFi module is removable. Please insert the WiFi module in the correct direction! Otherwise the module could be damaged.

### MicroSD Card

Capacity up to 64GB; Please use high speed cards(Class10/UHS-I/UHS-II).



### Lens module connection diagram



### Basic Camera Operation

<b>Powering On/Off</b>	Long press the Power/Shutter button
<b>WiFi On/Off</b>	Short press the WiFi/Mode Switch button
<b>Mode Switching</b>	After powering on, long press the WiFi/Mode Switch button to cycle through the three modes: Video/Photos/OSD settings.
<b>Video Mode</b>	Camera Status Light: <b>Blue (LED 3)</b> • Press the Power/Shutter button to start/stop recording.
<b>Photo Mode</b>	Camera Status Light: <b>Green (LED 2)</b> • Press the Power/Shutter button to capture photos.
<b>OSD Setup Mode</b>	Camera Status Light: <b>Orange (LED 4)</b> • Press the Power/Shutter button to move to a setting. • Press the WiFi/Mode Switch button to select. • Long press the WiFi/Mode Switch button to exit the menu.
<b>Forced Shutdown</b>	Simultaneously press the Power/Shutter button and WiFi/Mode Switch button.
<b>Reset</b>	In standby mode, press the WiFi/Mode Switch button three times in rapid succession (within 2 seconds). When resetting is complete, the status light (orange) blinks twice, and the camera automatically shuts down.

### App(Android | iOS)

Search 'RunCam App' on Google Play/Apple Store, or download on our website:

[runcam.com/download/runcamSplit](http://runcam.com/download/runcamSplit)

**Default SSID:** RCSplit\_\*\*\*\*\* (\* for letters or numbers)

**Default WiFi password:** 1234567890

### Check Complete User Manual

Please visit: [runcam.com/download/runcamSplit](http://runcam.com/download/runcamSplit)